

BRYANT

Standard Features:

- Premium high-density, high-resiliency foam seat cushions encased in down
- Sinuous spring suspension
- Semi-attached back cushions with lumbar support
- Semi-attached seat cushions
- Double-needle top stitching
- In-arm control panel is easy to use and includes a 2-amp USB charging port
- Control panel is LED backlit with auto-off after 5 seconds
- Lifetime warranty on frame and suspension
- Three-year warranty on mechanism and motor
- Quick-ship delivery

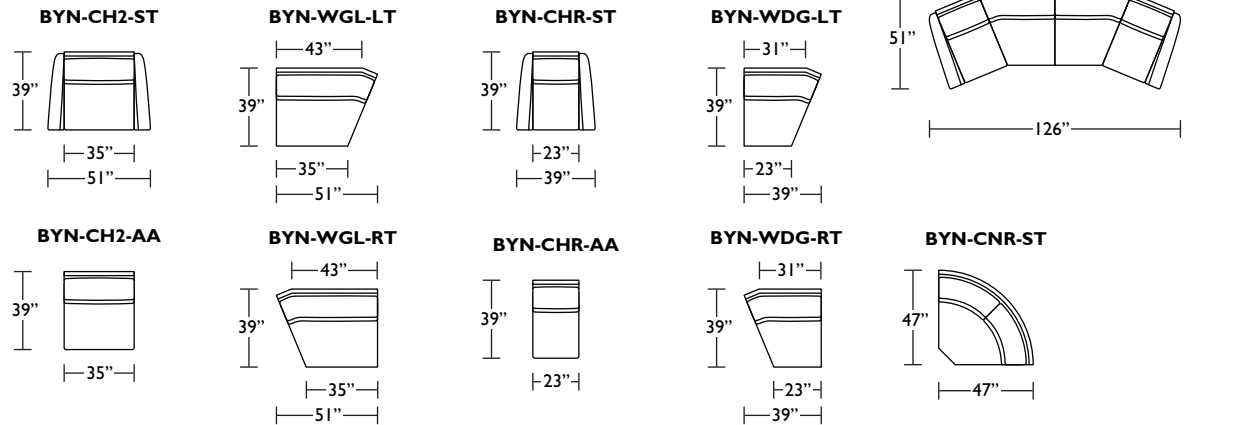
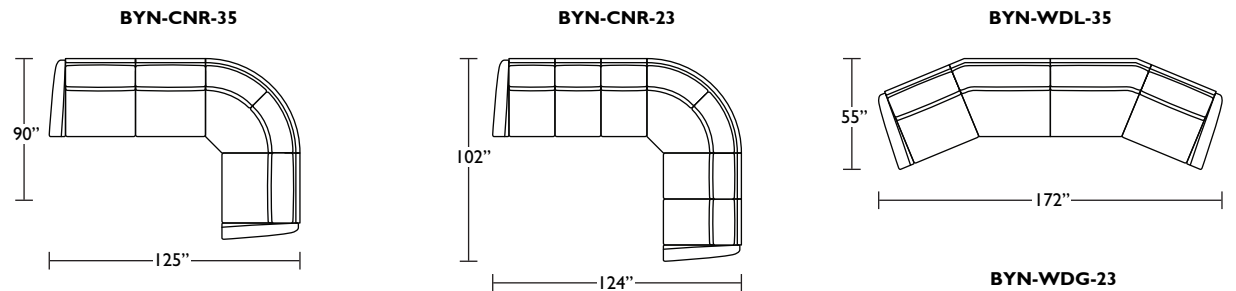
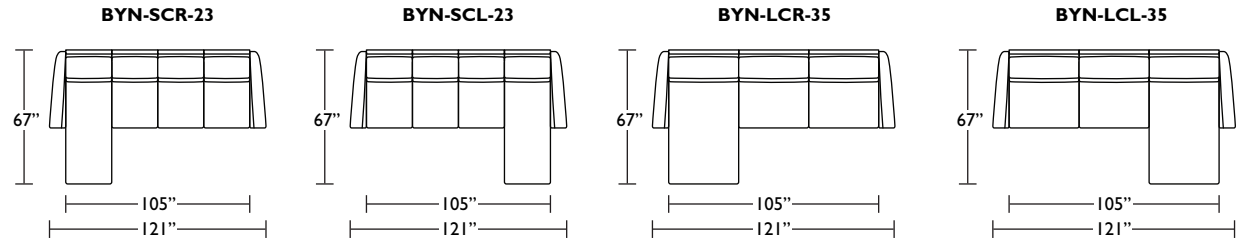
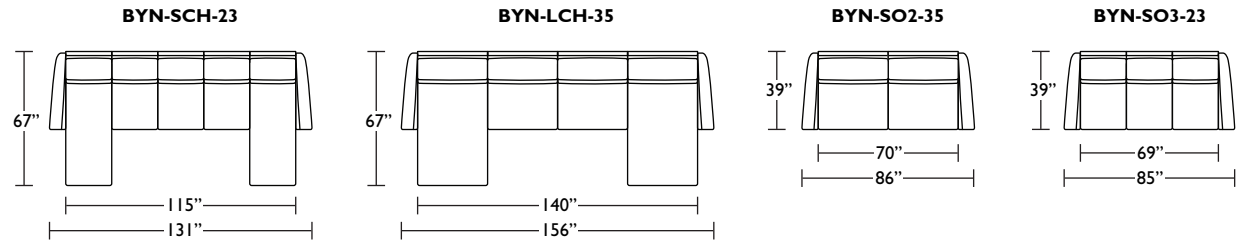
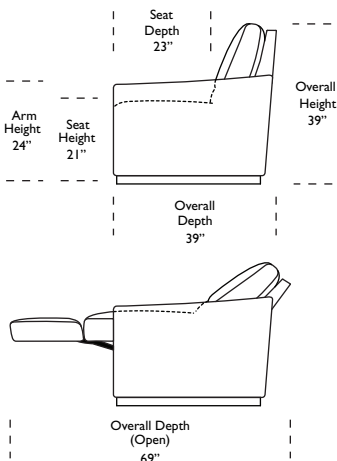
Options:

- Wood sled legs available in Natural Walnut or Gray Ash
- Premium high-density, high-resiliency foam seat cushion
- Contrasting detail stitch available
- Contrasting back and seat cushions available (two-tone)
- 1.8-amp hour lithium-ion battery pack available
- Battery pack has a one-year warranty
- Easy disassembly for delivery

Safe low voltage electrical components are UL listed.

Please use actual leather, fabric and Ultrasuede® swatches when specifying furniture as the colors shown may vary due to the printing process.

Wall Clearance is 5" at full recline.



Scale : 1/8 inch = 1 foot
 All dimensions are approximate and subject to change.
 Specify all components from the sitting position.